

PRESS KIT



PL Marine: company presentation



City: **Vertou**

Activity: **Design of innovative and ecological lifting and pulling systems for maritime environments (small to medium capacity)**

Manager: **Hervé PRO**



Presentation of the Project's Partner Company :

PL Marine was founded in Vertou and is operational since October 22, 2018. It offers INNOVATIVE and ECOLOGICAL lifting and pulling systems dedicated to marine environments intended for exportation.

95% of PL Marine production is destined to Europe and Asia.

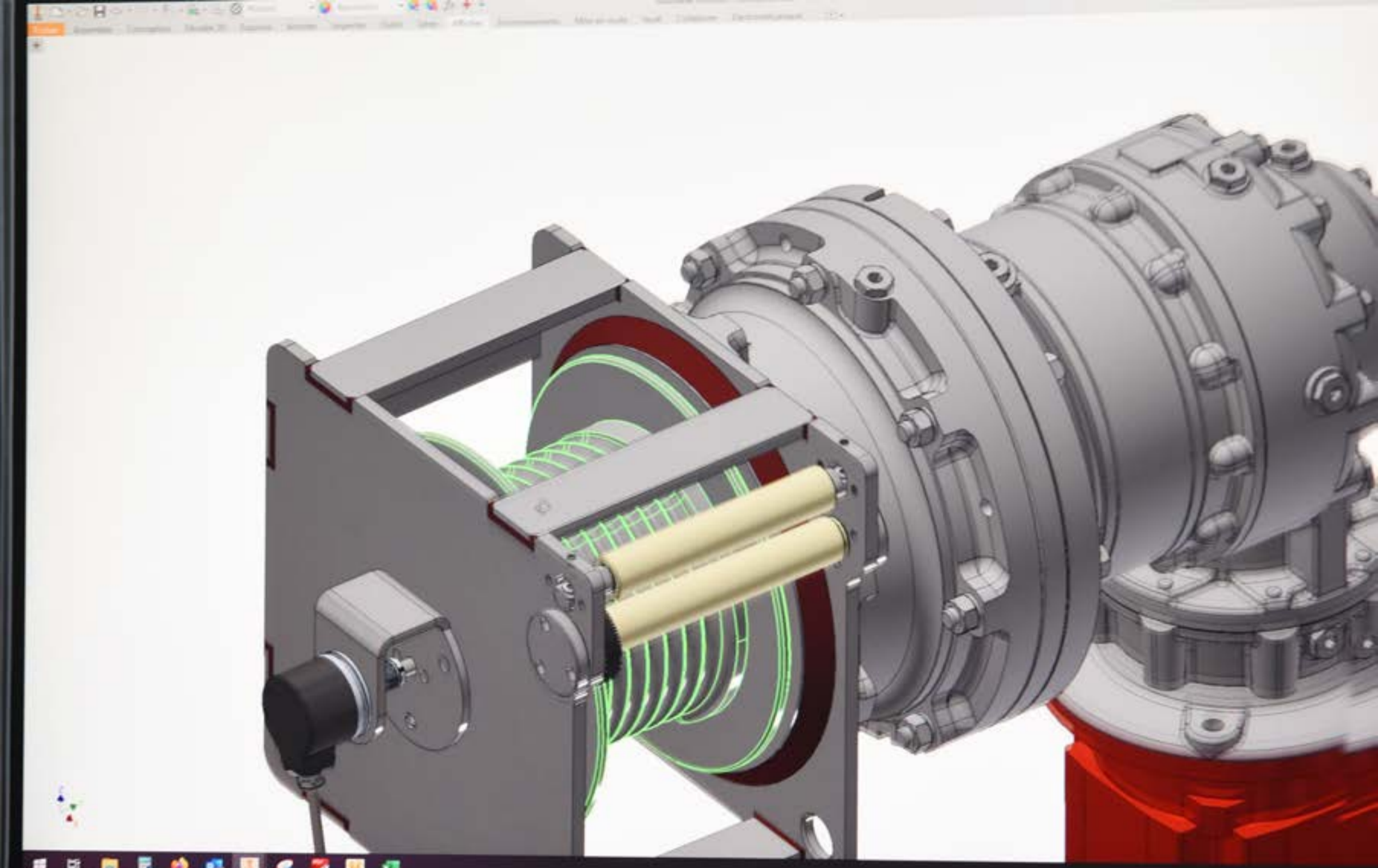
The manager, Hervé Prou, spent 25 years working with a lifting and docking system manufacturer, including 20 years in direct relationship with clients, shipyards or shipowners. Thanks to his experience, Hervé Prou knows all about the needs of the current lifting and pulling equipment market:

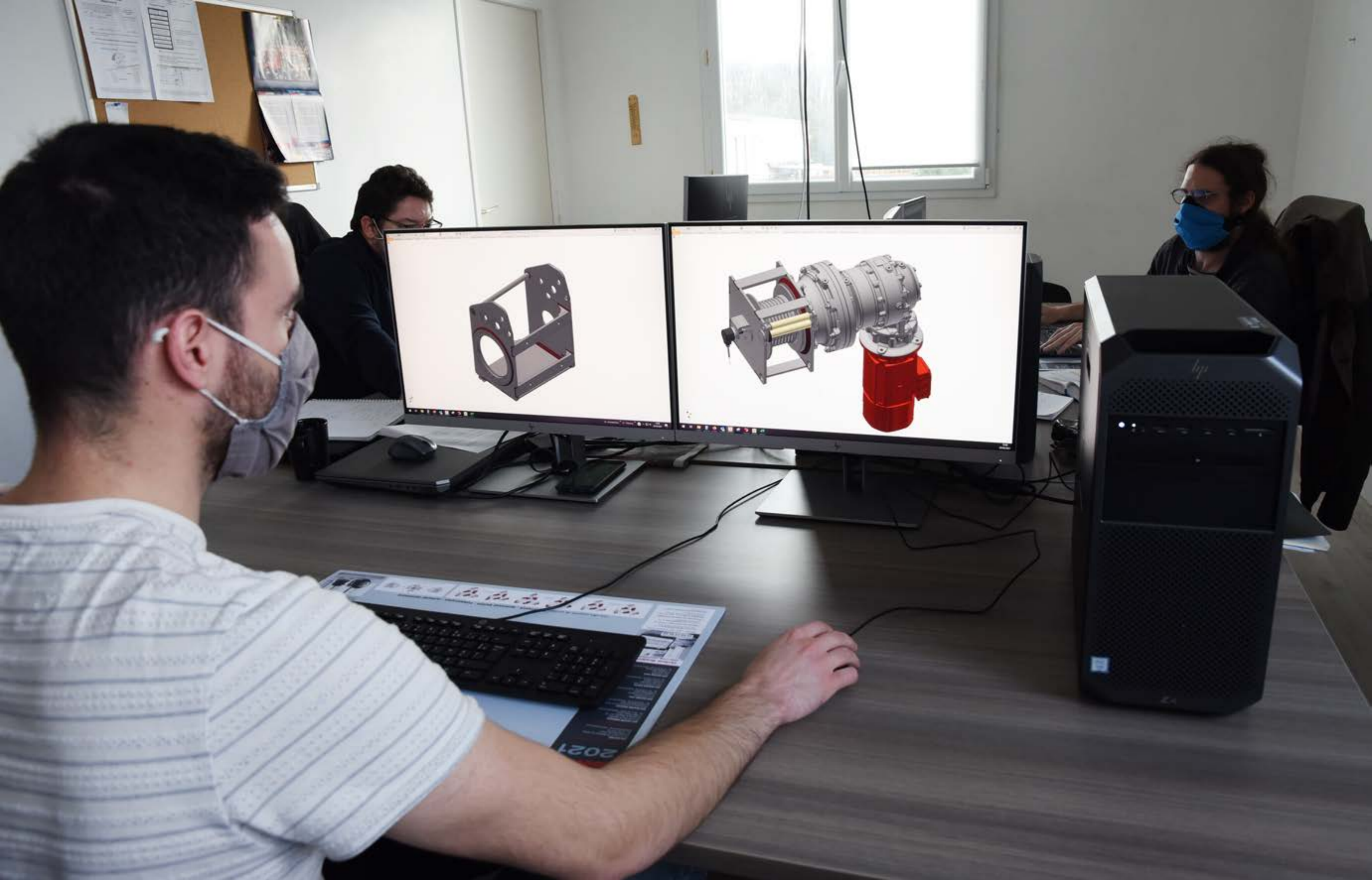
Involvement in the project:

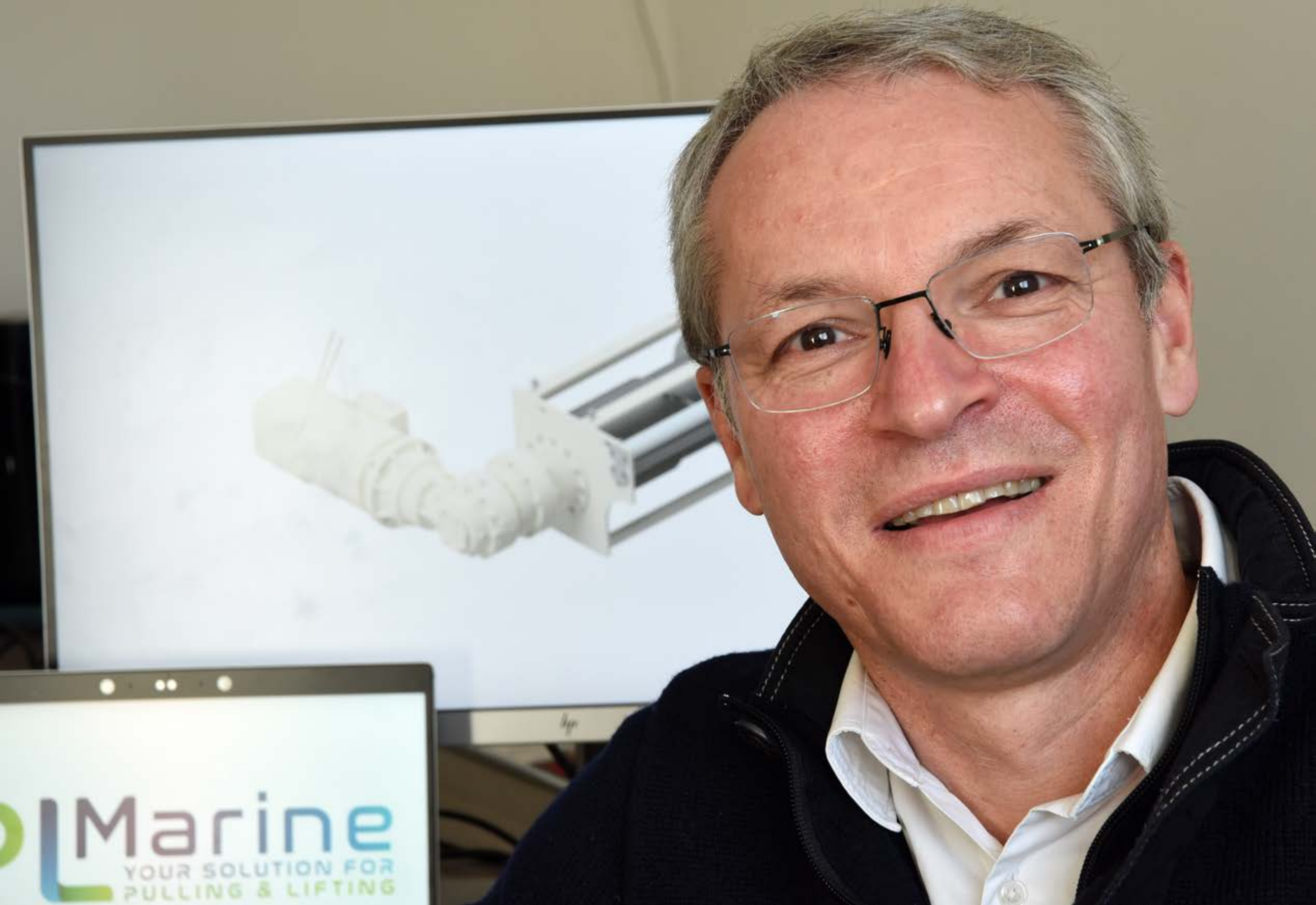
The handling hoists used on ships' sails or on merchant ships are a continuity of PL Marine's specialty, the lifting systems.

Being part of the "SOLID SAIL fitting" project is coherent with the overall strategy at PL Marine which is developing a market in need of advanced handling technologies.

The product developed for the project is a great addition to what PL Marine is offering to its clients.







 **LMarine**
YOUR SOLUTION FOR
PULLING & LIFTING